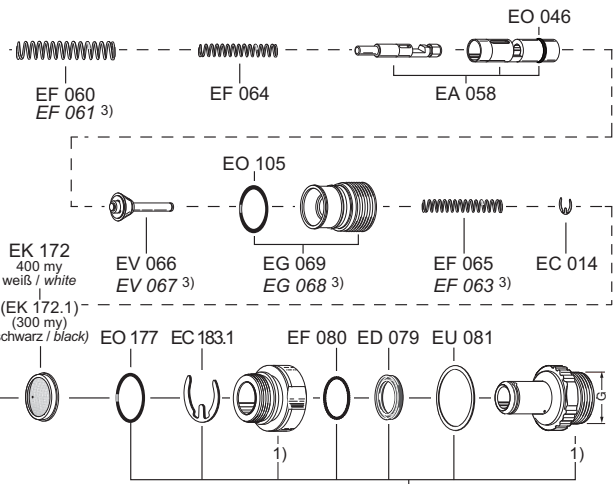
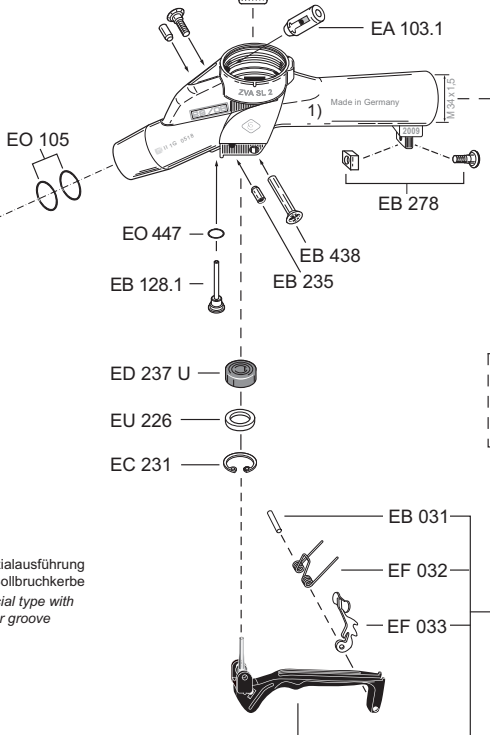
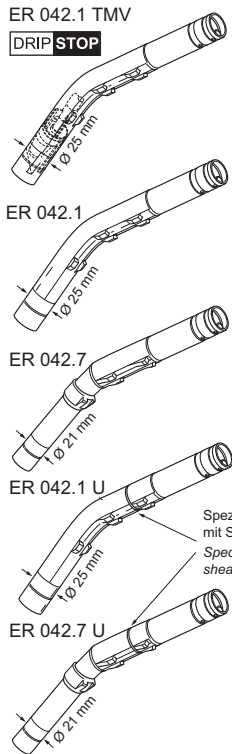
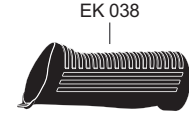
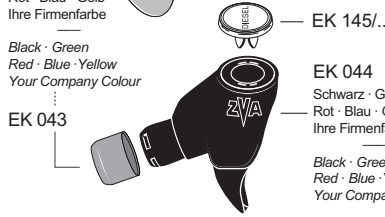
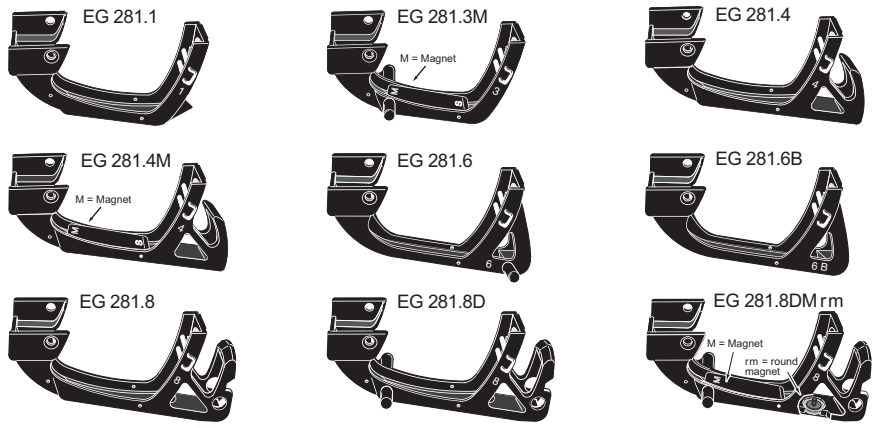


- 2) Für 'LT'-Ausführung (Low temperature, bis -40°C)
  - 3) Für Hochleistungs-Ausführung ZVA Slimline 2 H.
- 1) Not supplied as spare part.
  - 2) For 'LT'-Version (Low Temperature, up to -40°C)
  - 3) For high flow version ZVA Slimline 2 H.



R 1" AG / 1" BSP male	EA 075
R 1" IG / 1" BSP female	EA 075.1
3/4" NPT IG / 3/4" NPT female	EA 075.3
R 3/4" IG / 3/4" BSP female	EA 075.4
1" NPT IG / 1" NPT female	EA 075.5
R 3/4" AG / 3/4" BSP male	EA 075.7



**SSB 16**  
Safety Swivel Break

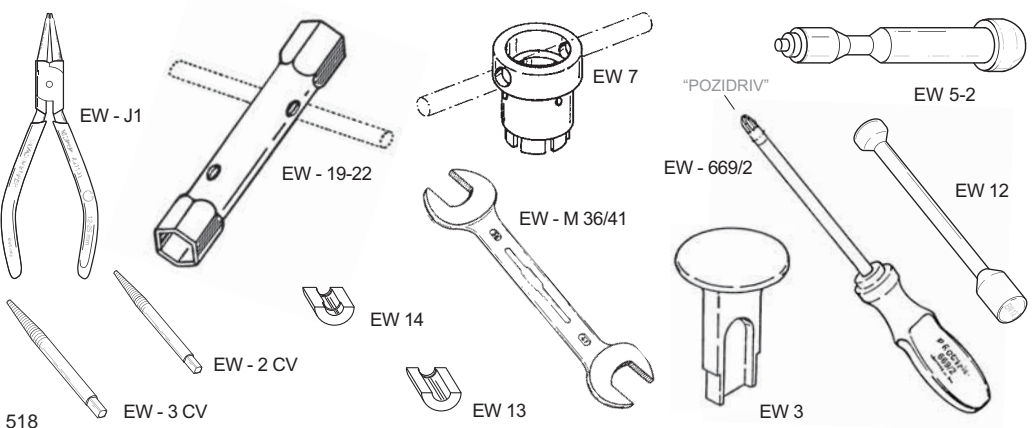
**ESB 16**  
Elbow Safety Swivel Break

**PSB 16**  
Pump Safety Break f. High Hose Dispensers

**BS 16**  
Break Sleeve Polyurethane f. SSB 16 + ESB 16 + PSB

Schwarz (Standard)  
Blau, Grün, Gelb, Rot

Black (Standard)  
Blue, Green, Yellow, Red



Montagewerkzeuge  
Assembly Tools

EW - J1	f. EC 231
EW 19-22	f. EG 069, EK 148.1
EW 2 CV	f. EB 235
EW 3	f. EA 058
EW 3 CV	f. EA 103.1
EW - M 36/41	f. EA 075
EW 5-2	f. EA 058, EA 103.1
EW 7	f. EK 148.1, EA 050
EW 669/2	f. EB 438, EB 278
EW 12	f. EO 105
EW 13	f. EV 067
EW 14	f. EV 066