

MOTORES ELÉCTRICOS
 ELECTRICAL MOTORS
 MOTEURS ÉLECTRIQUES

DEPÓSITOS

BOMBAS Y
 DIVISORES

MOTORES
 ELÉCTRICOS

VÁLVULAS

DISTRIBUIDORES

ELECTROVÁLVULAS

EMPUÑADURAS

ACUMULADORES

CILINDROS

VARIOS

Motores Eléctricos Corriente Trifásica (220/380V) - 1500 r.p.m.

Electrical Motors Triphase Current (220/380V) - 1500 r.p.m.

Moteur Electrique Courrant Triphasé 1500 tr/min (220/380V)

REFERENCIA PART NO. RÉFÉRENCE	C.V.	KW.	Ø EJE Ø SHAFT Ø ARBRE	Ø BRIDA Ø FLANGE Ø BRIDE	P.V.P. C/BRIDA (1) WITH FLANGE AVEC BRIDE (B5)	P.V.P. C/PATAS (2) WITH LEGS AVEC PATTES (B3)	P.V.P. C/BRIDA + PATAS (3) WITH FLANGE AND LEGS AVEC BRIDE ET PATTES (B3B5)
MET0.25	0.25	0.18	11	140	125,97	122,11	125,95
MET0.33	0.33	0.25	14	160	139,91	132,10	139,89
MET0.5	0.5	0.37	14	160	152,32	140,55	152,34
MET0.75	0.75	0.55	19	200	173,28	158,84	173,28
MET1	1	0.75	19	200	185,74	171,30	185,72
MET1.5	1.5	1.1	24	200	225,29	207,89	225,31
MET2	2	1.5	24	200	265,58	248,18	265,59
MET3	3	2.2	28	250	324,41	303,06	324,44
MET4	4	3	28	250	380,08	358,72	380,06
MET5.5	5.5	4	28	250	476,04	448,75	476,04
MET7.5	7.5	5.5	38	300	621,24	584,95	621,25
MET10	10	7.5	38	300	777,17	740,88	777,16
MET13.6	13.6	10	38	300	1.097,31	1.045,00	1.118,00
MET15	15	11	42	350	1.097,31	1.045,00	1.118,14
MET20	20	15	42	350	1.303,88	1.241,74	1.328,60
MET25	25	18.5	48	350	1.516,02	1.443,90	1.544,98
MET30	30	22	48	350	1.661,63	1.582,56	1.693,29
MET40	40	30	55	400	2.302,82	2.193,11	2.346,67
MET50	50	37	60	450	2.821,59	2.687,16	2.875,27
MET60	60	45	60	450	3.161,40	3.010,88	3.221,68
MET75	75	55	65	550	3.929,40	3.742,31	4.004,24

Ejemplo: Motor eléctrico trifásico 0,25 cv, 1500 r.p.m.

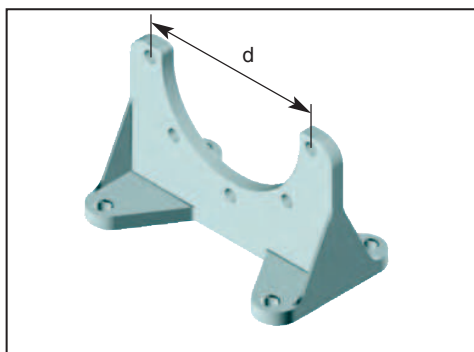
- (1) MET0.25B5 con Brida
- (2) MET0.25B3 con Patas
- (3) MET0.25B3B5 con Brida y Patas

Example: Electric triphase motor 0,25 cv, 1500 r.p.m.

- (1) MET0.25B5 with Flange
- (2) MET0.25B3 with Legs
- (3) MET0.25B3B5 with Flange and Legs

Exemple: Moteur électrique triphasé 0,25 cv, 1500 tr/min

- (1) MET0.25B5 avec Bride
- (2) MET0.25B5 avec Pattes
- (3) MET0.25B5 avec Bride et Pattes



Brida Acople Motor

Foot flange

Bride d'accouplement moteur

REFERENCIA PART NO. RÉFÉRENCE	DESCRIPCION DESCRIPTION DESCRIPTION	d	€
P160	Para brida	160mm.	27,36
P200	Para brida	200mm.	34,87
P250	Para brida	250mm.	57,56
P300	Para brida	300mm.	77,53

MOTORES ELÉCTRICOS
ELECTRICAL MOTORS
MOTEURS ÉLECTRIQUES

Motores Eléctricos Corriente Monofásica (220/50V) - 1500 r.p.m. Alto Par

Electrical Motors One Phase Current (220/50 V) - 1500 r.p.m. - High Starting Torque

Moteur Électrique Courrant Monophasé 1500 tr/min. (220/50V) Haut Couple

REFERENCIA PART NO. RÉFÉRENCE	C.V.	KW.	Ø EJE Ø SHAFT Ø ARBRE	Ø BRIDA Ø FLANGE Ø BRIDE	P.V.P. C/BRIDA (1) WITH FLANGE AVEC BRIDE (B5)	P.V.P. C/PATAS (2) WITH LEGS AVEC PATTES (B3)	P.V.P. C/BRIDA + PATAS (3) WITH FLANGE AND LEGS AVEC BRIDE ET PATTES (B3B5)
MEMAP0.33	0.33	0.25	14	160	345,12	328,58	354,38
MEMAP0.5	0.5	0.37	14	160	389,03	370,32	400,05
MEMAP0.75	0.75	0.55	19	200	399,85	380,76	411,27
MEMAP1	1	0.75	19	200	409,89	390,40	421,71
MEMAP1.5	1.5	1.1	24	200	470,93	448,48	484,51
MEMAP2	2	1.5	24	200	521,33	496,52	536,09
MEMAP3	3	2.2	28	250	693,98	660,91	713,67

Ejemplo: Motor eléctrico monofásico alto par 0,33 cv, 1500 r.p.m.

- (1) MEMAP0.33B5 con Brida
(2) MEMAP0.33B3 con Patas
(3) MEMAP0.33B3B5 con Brida y Patas

Example: Electric one phase motor 0,33 cv, 1500 r.p.m.

- (1) MEMAP0.33B5 with Flange
(2) MEMAP0.33B3 with Legs
(3) MEMAP0.33B3B5 with Flange and Legs

Exemple: Moteur électrique monophasé haut couple, 0,33 cv, 1500 tr/min

- (1) MEMAP0.33B5 avec Bride
(2) MEMAP0.33B3 avec Pattes
(3) MEMAP0.33B3B5 avec Bride et Pattes

Motores Eléctricos Corriente Monofásica (220/50V) - 1500 r.p.m. Par Normal

Electrical Motors One Phase Current (220/50 V) - 1500 r.p.m. - Single Fase Run Capacitor

Moteur Électrique Courrant Monophasé 1500 tr/min (220/50V) - Couple Normal

REFERENCIA PART NO. RÉFÉRENCE	C.V.	KW.	Ø EJE Ø SHAFT Ø ARBRE	Ø BRIDA Ø FLANGE Ø BRIDE	P.V.P. C/BRIDA (1) WITH FLANGE AVEC BRIDE (B5)	P.V.P. C/PATAS (2) WITH LEGS AVEC PATTES (B3)	P.V.P. C/BRIDA + PATAS (3) WITH FLANGE AND LEGS AVEC BRIDE ET PATTES (B3B5)
MEMBP0.33	0.33	0.25	14	160	239,40	227,98	246,09
MEMBP0.5	0.5	0.37	14	160	269,92	257,12	277,79
MEMBP0.75	0.75	0.55	19	200	289,41	275,63	297,68
MEMBP1	1	0.75	19	200	351,03	334,29	361,07
MEMBP1.5	1.5	1.1	24	200	386,66	309,29	397,69
MEMBP2	2	1.5	24	200	451,04	429,58	463,84
MEMBP3	3	2.2	28	250	617,79	588,46	738,67

Ejemplo: Motor eléctrico monofásico par normal 0,33 cv, 1500 r.p.m.

- (1) MEMBP0.33B5 con Brida
(2) MEMBP0.33B3 con Patas
(3) MEMBP0.33B3B5 con Brida y Patas

Example: Electric one phase motor 0,33 cv, 1500 r.p.m.

- (1) MEMBP0.33B5 with Flange
(2) MEMBP0.33B3 with Legs
(3) MEMBP0.33B3B5 with Flange and Legs

Exemple: Moteur électrique monophasé couple normal, 0,33 cv, 1500 tr/min

- (1) MEMBP0.33B5 avec Bride
(2) MEMBP0.33B3 avec Pattes
(3) MEMBP0.33B3B5 avec Bride et Pattes

3.2

MINICENTRALES

MINI-STATIONS

MINI-CENTRALES

DEPÓSITOS

BOMBAS Y
DIVISORES

MOTORES
ELÉCTRICOS

VÁLVULAS

DISTRIBUIDORES

ELECTROVÁLVULAS

EMPUÑADURAS

ACUMULADORES

CILINDROS

VARIOS

MINICENTRALES CORRIENTE CONTINUA
 MINI-STATIONS - DIRECT CURRENT
 MINI-CENTRALES DE COURANT CONTINU

Tipo 1: Grupos Moto-Bomba				
Grupo Moto-Bomba con motor, bomba de engranajes, depósito, limitadora de presión, válvula antirretorno, entrada y salida de presión				
<i>Type 1: Fire Engine Group</i>				
<i>Type 1: Groupes Moto-Pompe</i>				
REFERENCIA PART NO. RÉFÉRENCE	POTENCIA MOTOR ENGINE POWER PUISSANCE MOTEUR	CILINDRADA BOMBA PUMP CAPACITY CYLINDRÉE POMPE	DEPOSITOS DISPONIBLES AVAILABLE TANKS RÉSERVOIR DISPONIBLE	€
MCT112083	12VDC	0,8 cm ³	3 lts.	1.069,08
MCT112087			7 lts.	964,20
MCT112089			9 lts.	1.097,02
MCT112163	12VDC	1,6 cm ³	3 lts.	1.069,08
MCT112167			7 lts.	964,20
MCT112169			9 lts.	1.097,02
MCT112203	12VDC	2,0 cm ³	3 lts.	1.069,08
MCT112207			7 lts.	964,20
MCT112209			9 lts.	1.097,02
MCT112313	12VDC	3,1 cm ³	3 lts.	903,64
MCT112317			7 lts.	798,76
MCT112319			9 lts.	931,60
MCT112503	12VDC	5,0 cm ³	3 lts.	1.137,76
MCT112507			7 lts.	1.032,88
MCT112509			9 lts.	1.165,71
MCT112633	12VDC	6,3 cm ³	3 lts.	1.183,58
MCT112637			7 lts.	1.078,70
MCT112639			9 lts.	1.211,52
MCT124083	24VDC	0,8 cm ³	3 lts.	1.142,49
MCT124087			7 lts.	1.037,61
MCT124089			9 lts.	1.170,44
MCT124163	24VDC	1,6 cm ³	3 lts.	1.142,49
MCT124167			7 lts.	1.037,61
MCT124169			9 lts.	1.170,44
MCT124203	24VDC	2,0 cm ³	3 lts.	1.142,49
MCT124207			7 lts.	1.037,61
MCT124209			9 lts.	1.170,44
MCT124313	24VDC	3,1 cm ³	3 lts.	977,06
MCT124317			7 lts.	872,18
MCT124319			9 lts.	1.005,02
MCT124503	24VDC	5,0 cm ³	3 lts.	1.211,18
MCT124507			7 lts.	1.106,30
MCT124509			9 lts.	1.239,13
MCT124633	24VDC	6,3 cm ³	3 lts.	1.256,99
MCT124637			7 lts.	1.152,11
MCT124639			9 lts.	1.284,94



MINICENTRALES CORRIENTE CONTINUA
 MINI-STATIONS - DIRECT CURRENT
 MINI-CENTRALES DE COURANT CONTINU

Tipo 2: Minicentrales				
Para Circuito de D.E.				
Minicentral con motor, bomba de engranajes, placa base para el acoplamiento de una válvula Cetop, limitadora de presión, depósito y botonera con cable de accionamiento de 3 m.				
<i>Type 2: Mini-Stations for D.E. Circuit</i>				
<i>Type 2: Mini-Centrales pour circuit D.E.</i>				
REFERENCIA PART NO. RÉFÉRENCE	DESCRIPCIÓN DESCRIPTION DESCRIPTION	CILINDRADA BOMBA PUMP CAPACITY CYLINDRÉE POMPE	DEPOSITOS DISPONIBLES AVAILABLE TANKS RÉSERVOIR DISPONIBLE	€
MCDDET212083			3 lts.	1.212,53
MCDDET212087	12VDC	0,8 cm ³	7 lts.	1.107,65
MCDDET212089	Doble Efecto		9 lts.	1.240,48
MCDDET212163			3 lts.	1.212,53
MCDDET212167	12VDC	1,6 cm ³	7 lts.	1.107,65
MCDDET212169	Doble Efecto		9 lts.	1.240,48
MCDDET212203			3 lts.	1.212,53
MCDDET212207	12VDC	2,0 cm ³	7 lts.	1.107,65
MCDDET212209	Doble Efecto		9 lts.	1.240,48
MCDDET212313			3 lts.	1.047,09
MCDDET212317	12VDC	3,1 cm ³	7 lts.	942,21
MCDDET212319	Doble Efecto		9 lts.	1.073,43
MCDDET212503			3 lts.	1.281,22
MCDDET212507	12VDC	5,0 cm ³	7 lts.	1.176,34
MCDDET212509	Doble Efecto		9 lts.	1.309,17
MCDDET212633			3 lts.	1.801,71
MCDDET212637	12VDC	6,3 cm ³	7 lts.	1.582,33
MCDDET212639	Doble Efecto		9 lts.	1.829,65
MCDDET224083			3 lts.	1.760,63
MCDDET224087	24VDC	0,8 cm ³	7 lts.	1.655,75
MCDDET224089	Doble Efecto		9 lts.	1.788,57
MCDDET224163			3 lts.	1.760,63
MCDDET224167	24VDC	1,6 cm ³	7 lts.	1.655,75
MCDDET224169	Doble Efecto		9 lts.	1.788,57
MCDDET224203			3 lts.	1.760,63
MCDDET224207	24VDC	2,0 cm ³	7 lts.	1.655,75
MCDDET224209	Doble Efecto		9 lts.	1.788,57
MCDDET224313			3 lts.	1.595,19
MCDDET224317	24VDC	3,1 cm ³	7 lts.	1.490,31
MCDDET224319	Doble Efecto		9 lts.	1.623,13
MCDDET224503			3 lts.	1.829,32
MCDDET224507	24VDC	5,0 cm ³	7 lts.	1.724,43
MCDDET224509	Doble Efecto		9 lts.	1.857,26
MCDDET224633			3 lts.	1.875,13
MCDDET224637	24VDC	6,3 cm ³	7 lts.	1.770,25
MCDDET224639	Doble Efecto		9 lts.	1.903,07



MINICENTRALES CORRIENTE CONTINUA
MINI-STATIONS - DIRECT CURRENT
MINI-CENTRALES DE COURANT CONTINU

Tipo 2: Minicentrales				
Para Circuito de S.E.				
Minicentral con motor, bomba de engranajes, válvula de descenso, limitadora de presión, depósito y botonera con cable de accionamiento de 3 m.				
<i>Type 2: Mini-Stations for S.E. Circuit</i>				
<i>Type 2: Mini-Centrales pour circuit S.E.</i>				
REFERENCIA PART NO. RÉFÉRENCE	DESCRIPCIÓN DESCRIPTION DESCRIPTION	CILINDRADA BOMBA PUMP CAPACITY CYLINDRÉE POMPE	DEPOSITOS DISPONIBLES AVAILABLE TANKS RÉSERVOIR DISPONIBLE	€
MCSET212083	12VDC Simple Efecto	0,8 cm ³	3 lts.	1.212,53
MCSET212087			7 lts.	1.107,65
MCSET212089			9 lts.	1.240,48
MCSET212163	12VDC Simple Efecto	1,6 cm ³	3 lts.	1.212,53
MCSET212167			7 lts.	1.107,65
MCSET212169			9 lts.	1.240,48
MCSET212203	12VDC Simple Efecto	2,0 cm ³	3 lts.	1.212,53
MCSET212207			7 lts.	1.107,65
MCSET212209			9 lts.	1.240,48
MCSET212313	12VDC Simple Efecto	3,1 cm ³	3 lts.	1.047,09
MCSET212317			7 lts.	942,21
MCSET212319			9 lts.	1.075,04
MCSET212503	12VDC Simple Efecto	5,0 cm ³	3 lts.	1.281,22
MCSET212507			7 lts.	1.176,34
MCSET212509			9 lts.	1.309,17
MCSET212633	12VDC Simple Efecto	6,3 cm ³	3 lts.	1.327,03
MCSET212637			7 lts.	1.222,15
MCSET212639			9 lts.	1.354,98
MCSET224083	24VDC Simple Efecto	0,8 cm ³	3 lts.	1.253,58
MCSET224087			7 lts.	1.148,70
MCSET224089			9 lts.	1.281,52
MCSET224163	24VDC Simple Efecto	1,6 cm ³	3 lts.	1.253,58
MCSET224167			7 lts.	1.148,70
MCSET224169			9 lts.	1.281,52
MCSET224203	24VDC Simple Efecto	2,0 cm ³	3 lts.	1.253,58
MCSET224207			7 lts.	1.148,70
MCSET224209			9 lts.	1.281,52
MCSET224313	24VDC Simple Efecto	3,1 cm ³	3 lts.	1.088,14
MCSET224317			7 lts.	983,26
MCSET224319			9 lts.	1.116,08
MCSET224503	24VDC Simple Efecto	5,0 cm ³	3 lts.	1.322,26
MCSET224507			7 lts.	1.217,38
MCSET224509			9 lts.	1.350,21
MCSET224633	24VDC Simple Efecto	6,3 cm ³	3 lts.	1.368,08
MCSET224637			7 lts.	1.263,20
MCSET224639			9 lts.	1.396,02



MINICENTRALES CORRIENTE ALTERNA
 MINI-STATIONS - ALTERNATING CURRENT
 MINI-CENTRALES COURANT ALTERNATIF

Grupo Moto Bomba Corriente Alterna Trifásica (220/380 V)

Grupo Moto-Bomba con motor trifásico, bomba de engranajes, válvula limitadora de presión, válvula antirretorno y depósito.

Group Fire Engine Triphase Alternating Current (220/380V)

Groupe Moto-Pompe Courant Alternatif Triphasé (220/380 V)



REFERENCIA PART NO. RÉFÉRENCE	POTENCIA MOTOR MOTOR POWER PUISSANCE MOTEUR	CILINDRADA BOMBA PUMP CAPACITY CYLINDRÉE POMPE	DEPOSITOS DISPONIBLES AVAILABLE TANKS RESERVOIR DISPONIBLE	€
MCT075T1083	0,75CV	0,8 cm ³	3 lts.	1.389,94
MCT075T1087			7 lts.	1.285,06
MCT075T1089			9 lts.	1.417,88
MCT075T1163	0,75CV	1,6 cm ³	3 lts.	1.389,94
MCT075T1167			7 lts.	1.285,06
MCT075T1169			9 lts.	1.417,88
MCT075T1203	0,75CV	2,0 cm ³	3 lts.	1.389,94
MCT075T1207			7 lts.	1.285,06
MCT075T1209			9 lts.	1.417,88
MCT075T1313	0,75CV	3,1 cm ³	3 lts.	1.224,50
MCT075T1317			7 lts.	1.119,62
MCT075T1319			9 lts.	1.252,44
MCT075T1503	0,75CV	5,0 cm ³	3 lts.	1.504,44
MCT075T1507			7 lts.	1.353,75
MCT075T1509			9 lts.	1.486,57
MCT075T1633	0,75CV	6,3 cm ³	3 lts.	1.504,44
MCT075T1637			7 lts.	1.285,06
MCT075T1639			9 lts.	1.532,38
MCT1T1083	1CV	0,8 cm ³	3 lts.	1.406,16
MCT1T1087			7 lts.	1.301,28
MCT1T1089			9 lts.	1.428,14
MCT1T1163	1CV	1,6 cm ³	3 lts.	1.406,16
MCT1T1167			7 lts.	1.301,28
MCT1T1169			9 lts.	1.428,14
MCT1T1203	1CV	2,0 cm ³	3 lts.	1.406,16
MCT1T1207			7 lts.	1.301,28
MCT1T1209			9 lts.	1.428,14
MCT1T1313	1CV	3,1 cm ³	3 lts.	1.240,74
MCT1T1317			7 lts.	1.135,80
MCT1T1319			9 lts.	1.262,70
MCT1T1503	1CV	5,0 cm ³	3 lts.	1.474,84
MCT1T1507			7 lts.	1.369,96
MCT1T1509			9 lts.	1.254,67
MCT1T1633	1CV	6,3 cm ³	3 lts.	1.406,16
MCT1T1637			7 lts.	1.300,88
MCT1T1639			9 lts.	1.428,14
MCT15T1083	1,5CV	0,8 cm ³	3 lts.	1.457,77
MCT15T1087			7 lts.	1.352,89
MCT15T1089			9 lts.	1.485,72
MCT15T1163	1,5CV	1,6 cm ³	3 lts.	1.457,77
MCT15T1167			7 lts.	1.352,89
MCT15T1169			9 lts.	1.485,72
MCT15T1203	1,5CV	2,0 cm ³	3 lts.	1.457,77
MCT15T1207			7 lts.	1.352,89
MCT15T1209			9 lts.	1.485,72
MCT15T1313	1,5CV	3,1 cm ³	3 lts.	1.292,33
MCT15T1317			7 lts.	1.187,45
MCT15T1319			9 lts.	1.320,28
MCT15T1503	1,5CV	5,0 cm ³	3 lts.	1.526,46
MCT15T1507			7 lts.	1.421,58
MCT15T1509			9 lts.	1.554,40
MCT15T1633	1,5CV	6,3 cm ³	3 lts.	1.457,77
MCT15T1637			7 lts.	1.352,89
MCT15T1639			9 lts.	1.485,72

DEPÓSITOS

BOMBAS Y
DIVISORES

MOTORES
ELÉCTRICOS

VÁLVULAS

DISTRIBUIDORES

ELECTROVÁLVULAS

EMPUÑADURAS

ACUMULADORES

CILINDROS

VARIOS

MINICENTRALES CORRIENTE ALTERNA
 MINI-STATIONS - ALTERNATING CURRENT
 MINI-CENTRALES COURANT ALTERNATIF

Grupo Moto Bomba Corriente Alterna Trifásica (220/380 V)				
Grupo Moto-Bomba con motor trifásico, bomba de engranajes, válvula limitadora de presión, válvula antirretorno y depósito.				
<i>Group Fire Engine Triphase Alternating Current (220/380V)</i>				
<i>Groupe Moto-Pompe Courant Alternatif Triphasé (220/380 V)</i>				
REFERENCIA PART NO. RÉFÉRENCE	POTENCIA MOTOR MOTOR POWER PUISSANCE MOTEUR	CILINDRADA BOMBA PUMP CAPACITY CYLINDRÉE POMPE	DEPOSITOS DISPONIBLES AVAILABLE TANKS RESERVOIR DISPONIBLE	€
MCT2T1083	2CV	0,8 cm ³	3 lts.	1.510,28
MCT2T1087			7 lts.	1.405,40
MCT2T1089			9 lts.	1.538,23
MCT2T1163	2CV	1,6 cm ³	3 lts.	1.510,28
MCT2T1167			7 lts.	1.405,40
MCT2T1169			9 lts.	1.538,23
MCT2T1203	2CV	2,0 cm ³	3 lts.	1.510,28
MCT2T1207			7 lts.	1.405,40
MCT2T1209			9 lts.	1.538,23
MCT2T1313	2CV	3,1 cm ³	3 lts.	1.344,84
MCT2T1317			7 lts.	1.239,96
MCT2T1319			9 lts.	1.372,79
MCT2T1503	2CV	5,0 cm ³	3 lts.	1.578,97
MCT2T1507			7 lts.	1.474,09
MCT2T1509			9 lts.	1.606,91
MCT2T1633	2CV	6,3 cm ³	3 lts.	1.510,28
MCT2T1637			7 lts.	1.405,40
MCT2T1639			9 lts.	1.538,23
MCT3T1083	3CV	0,8 cm ³	3 lts.	1.587,00
MCT3T1087			7 lts.	1.482,12
MCT3T1089			9 lts.	1.614,94
MCT3T1163	3CV	1,6 cm ³	3 lts.	1.587,00
MCT3T1167			7 lts.	1.482,12
MCT3T1169			9 lts.	1.614,94
MCT3T1203	3CV	2,0 cm ³	3 lts.	1.587,00
MCT3T1207			7 lts.	1.482,12
MCT3T1209			9 lts.	1.614,94
MCT3T1313	3CV	3,1 cm ³	3 lts.	1.421,56
MCT3T1317			7 lts.	1.316,68
MCT3T1319			9 lts.	1.449,50
MCT3T1503	3CV	5,0 cm ³	3 lts.	1.655,69
MCT3T1507			7 lts.	1.550,81
MCT3T1509			9 lts.	1.683,63
MCT3T1633	3CV	6,3 cm ³	3 lts.	1.587,00
MCT3T1637			7 lts.	1.482,12
MCT3T1639			9 lts.	1.614,94
MCT4T1083	4CV	0,8 cm ³	3 lts.	1.659,52
MCT4T1087			7 lts.	1.554,64
MCT4T1089			9 lts.	1.687,47
MCT4T1163	4CV	1,6 cm ³	3 lts.	1.659,52
MCT4T1167			7 lts.	1.554,64
MCT4T1169			9 lts.	1.687,47
MCT4T1203	4CV	2,0 cm ³	3 lts.	1.659,52
MCT4T1207			7 lts.	1.554,62
MCT4T1209			9 lts.	1.687,47
MCT4T1313	4CV	3,1 cm ³	3 lts.	1.494,08
MCT4T1317			7 lts.	1.389,20
MCT4T1319			9 lts.	1.522,03
MCT4T1503	4CV	5,0 cm ³	3 lts.	1.728,21
MCT4T1507			7 lts.	1.623,33
MCT4T1509			9 lts.	1.756,16
MCT4T1633	4CV	6,3 cm ³	3 lts.	1.659,52
MCT4T1637			7 lts.	1.554,64
MCT4T1639			9 lts.	1.687,41



MINICENTRALES CORRIENTE ALTERNA
 MINI-STATIONS - ALTERNATING CURRENT
 MINI-CENTRALES COURANT ALTERNATIF



Grupo Moto Bomba Corriente Alterna Monofásica (220/50 V)

Grupo Moto-Bomba con motor monofásico de par normal, bomba de engranajes, válvula limitadora de presión, válvula antirretorno y depósito.

Group Fire Engine Monophase Alternating Current (220/50 V)

Groupe Moto-Pompe Courant Alternatif Monophasé (220/50 V)

REFERENCIA PART NO. RÉFÉRENCE	POTENCIA MOTOR MOTOR POWER PUISSANCE MOTEUR	CILINDRADA BOMBA PUMP CAPACITY CYLINDRÉE POMPE	DEPOSITOS DISPONIBLES AVAILABLE TANKS RESERVOIR DISPONIBLE	€
MCM075T1083	0,75CV	0,8 cm ³	3 lts.	1.520,44
MCM075T1087			7 lts.	1.415,56
MCM075T1089			9 lts.	1.548,38
MCM075T1163	0,75CV	1,6 cm ³	3 lts.	1.520,44
MCM075T1167			7 lts.	1.415,56
MCM075T1169			9 lts.	1.548,38
MCM075T1203	0,75CV	2,0 cm ³	3 lts.	1.520,44
MCM075T1207			7 lts.	1.415,56
MCM075T1209			9 lts.	1.548,38
MCM075T1313	0,75CV	3,1 cm ³	3 lts.	1.355,00
MCM075T1317			7 lts.	1.250,12
MCM075T1319			9 lts.	1.382,94
MCM075T1503	0,75CV	5,0 cm ³	3 lts.	1.589,13
MCM075T1507			7 lts.	1.484,25
MCM075T1509			9 lts.	1.617,07
MCM075T1633	0,75CV	6,3 cm ³	3 lts.	1.634,94
MCM075T1637			7 lts.	1.530,06
MCM075T1639			9 lts.	1.662,88
MCM1T1083	1CV	0,8 cm ³	3 lts.	1.596,34
MCM1T1087			7 lts.	1.491,46
MCM1T1089			9 lts.	1.624,28
MCM1T1163	1CV	1,6 cm ³	3 lts.	1.596,34
MCM1T1167			7 lts.	1.491,46
MCM1T1169			9 lts.	1.624,28
MCM1T1203	1CV	2,0 cm ³	3 lts.	1.596,34
MCM1T1207			7 lts.	1.491,46
MCM1T1209			9 lts.	1.624,28
MCM1T1313	1CV	3,1 cm ³	3 lts.	1.430,90
MCM1T1317			7 lts.	1.326,02
MCM1T1319			9 lts.	1.624,28
MCM1T1503	1CV	5,0 cm ³	3 lts.	1.665,03
MCM1T1507			7 lts.	1.560,15
MCM1T1509			9 lts.	1.692,97
MCM1T1633	1CV	6,3 cm ³	3 lts.	1.710,84
MCM1T1637			7 lts.	1.605,96
MCM1T1639			9 lts.	1.738,78
MCM15T1083	1,5CV	0,8 cm ³	3 lts.	1.640,22
MCM15T1087			7 lts.	1.535,34
MCM15T1089			9 lts.	1.668,17
MCM15T1163	1,5CV	1,6 cm ³	3 lts.	1.640,22
MCM15T1167			7 lts.	1.535,34
MCM15T1169			9 lts.	1.668,17
MCM15T1203	1,5CV	2,0 cm ³	3 lts.	1.640,22
MCM15T1207			7 lts.	1.535,34
MCM15T1209			9 lts.	1.668,17
MCM15T1313	1,5CV	3,1 cm ³	3 lts.	1.474,79
MCM15T1317			7 lts.	1.369,90
MCM15T1319			9 lts.	1.502,73
MCM15T1503	1,5CV	5,0 cm ³	3 lts.	1.708,91
MCM15T1507			7 lts.	1.604,03
MCM15T1509			9 lts.	1.736,86
MCM15T1633	1,5CV	6,3 cm ³	3 lts.	1.754,72
MCM15T1637			7 lts.	1.649,84
MCM15T1639			9 lts.	1.782,67

DEPÓSITOS

BOMBAS Y
DIVISORES

MOTORES
ELÉCTRICOS

VÁLVULAS

DISTRIBUIDORES

ELECTROVÁLVULAS

EMPUÑADURAS

ACUMULADORES

CILINDROS

VARIOS

MINICENTRALES CORRIENTE ALTERNA
MINI-STATIONS - ALTERNATING CURRENT
MINI-CENTRALES COURANT ALTERNATIF

Grupo Moto Bomba Corriente Alterna Monofásica (220/50 V) Grupo Moto-Bomba con motor monofásico de par normal, bomba de engranajes, válvula limitadora de presión, válvula antirretorno y depósito.				
<i>Group Fire Engine Monophase Alternating Current (220/50 V)</i>				
<i>Groupe Moto-Pompe Courant Alternatif Monophasé (220/50 V)</i>				
REFERENCIA PART NO. RÉFÉRENCE	POTENCIA MOTOR MOTOR POWER PUISSANCE MOTEUR	CILINDRADA BOMBA PUMP CAPACITY CYLINDRÉE POMPE	DEPOSITOS DISPONIBLES AVAILABLE TANKS RESERVOIR DISPONIBLE	€
MCM2T1083	2CV	0,8 cm ³	3 lts.	1.719,51
MCM2T1087			7 lts.	1.614,63
MCM2T1089			9 lts.	1.747,45
MCM2T1163	2CV	1,6 cm ³	3 lts.	1.719,51
MCM2T1167			7 lts.	1.614,63
MCM2T1169			9 lts.	1.747,45
MCM2T1203	2CV	2,0 cm ³	3 lts.	1.719,51
MCM2T1207			7 lts.	1.614,63
MCM2T1209			9 lts.	1.747,45
MCM2T1313	2CV	3,1 cm ³	3 lts.	1.554,07
MCM2T1317			7 lts.	1.449,19
MCM2T1319			9 lts.	1.582,01
MCM2T1503	2CV	5,0 cm ³	3 lts.	1.788,19
MCM2T1507			7 lts.	1.683,31
MCM2T1509			9 lts.	1.816,14
MCM2T1633	2CV	6,3 cm ³	3 lts.	1.834,01
MCM2T1637			7 lts.	1.729,13
MCM2T1639			9 lts.	1.861,95
MCM25T1083	2,5CV	0,8 cm ³	3 lts.	1.806,08
MCM25T1087			7 lts.	1.701,20
MCM25T1089			9 lts.	1.834,03
MCM25T1163	2,5CV	1,6 cm ³	3 lts.	1.806,08
MCM25T1167			7 lts.	1.701,20
MCM25T1169			9 lts.	1.834,03
MCM25T1203	2,5CV	2,0 cm ³	3 lts.	1.806,08
MCM25T1207			7 lts.	1.701,20
MCM25T1209			9 lts.	1.834,03
MCM25T1313	2,5CV	3,1 cm ³	3 lts.	1.640,64
MCM25T1317			7 lts.	1.535,76
MCM25T1319			9 lts.	1.668,59
MCM25T1503	2,5CV	5,0 cm ³	3 lts.	1.875,84
MCM25T1507			7 lts.	1.769,89
MCM25T1509			9 lts.	1.948,53
MCM25T1633	2,5CV	6,3 cm ³	3 lts.	1.920,58
MCM25T1637			7 lts.	1.815,70
MCM25T1639			9 lts.	1.948,53
MCM3T1083	3CV	0,8 cm ³	3 lts.	1.924,89
MCM3T1087			7 lts.	1.820,01
MCM3T1089			9 lts.	1.952,84
MCM3T1163	3CV	1,6 cm ³	3 lts.	1.924,89
MCM3T1167			7 lts.	1.820,01
MCM3T1169			9 lts.	1.952,84
MCM3T1203	3CV	2,0 cm ³	3 lts.	1.924,89
MCM3T1207			7 lts.	1.820,01
MCM3T1209			9 lts.	1.952,84
MCM3T1313	3CV	3,1 cm ³	3 lts.	1.759,45
MCM3T1317			7 lts.	1.654,57
MCM3T1319			9 lts.	1.787,40
MCM3T1503	3CV	5,0 cm ³	3 lts.	1.993,58
MCM3T1507			7 lts.	1.888,70
MCM3T1509			9 lts.	2.021,53
MCM3T1633	3CV	6,3 cm ³	3 lts.	2.039,39
MCM3T1637			7 lts.	1.934,51
MCM3T1639			9 lts.	2.067,34



MINICENTRALES CORRIENTE ALTERNA
MINI-STATIONS - ALTERNATING CURRENT
MINI-CENTRALES COURANT ALTERNATIF

Opciones para Minicentrales de Corriente Alterna		
<i>Options for Mini-Stations Alternating Current</i>		
<i>Options pour Mini-Centrales Courant Alternatif</i>		
REFERENCIA PART NO. RÉFÉRENCE	DESCRIPCIÓN DESCRIPCIÓN DESCRIPTION	€
MCD12	Depósito PVC de 12lts. Tank PVC of 12 l. <i>Réservoir PVC de 12l</i>	198,23
MCD10	Depósito metálico de 10lts. Metallic tank 10l <i>Réservoir métallique de 10l</i>	131,93
IMAP0,75	Motor monofásico 0,75 cv alto par... Monophase motor 0,75 cv <i>Moteur monophasé de haute couple de 0,75 cv</i>	492,46
IMAP1	Motor monofásico 1 cv alto par... Monophase motor 1 cv <i>Moteur monophasé de haute couple de 1 cv</i>	505,22
IMAP1,5	Motor monofásico 1,5 cv alto par... Monophase motor 1,5 cv <i>Moteur monophasé de haute couple de 1,5 cv</i>	579,99
IMAP2	Motor monofásico 2 cv alto par... Monophase motor 2 cv <i>Moteur monophasé de haute couple de 2 cv</i>	642,08
IMAP3	Motor monofásico 3 cv alto par... Monophase motor 3 cv <i>Moteur monophasé de haute couple de 3 cv</i>	854,72

MINICENTRALES CORRIENTE ALTERNA

MINI-STATIONS - ALTERNATING CURRENT

MINI-CENTRALES COURANT ALTERNATIF

Material de Repuesto		
<i>Spare Parts</i>		
<i>Pièce de Rechange</i>		
REFERENCIA PART NO. RÉFÉRENCE	DESCRIPCIÓN DESCRIPTION DESCRIPTION	€
BOTONERA / BUTTONS / POIGNÉE DE COMMANDES		
MCBDE-CC	Botonera D.E. de Corriente Continua Buttons D.E. - Direct Current <i>Poignée de commande D. E. Courrant Continu</i>	191,04
MCBSE-CA	Botonera S.E. de Corriente Alterna Buttons S.E. - Alternating Current <i>Poignée de commande S.E. Courrant Alternatif</i>	121,58
MCBSE-CC	Botonera S.E. de Corriente Continua Buttons S.E. - Direct Current <i>Poignée de commande S.E. Courrant C</i>	121,58
RELE / RELAY / RELE		
MCR12CC	Rele 12VDC/ Relay / Rele	135,39
MCR24CC	Rele 24VDC/ Relay / Rele	135,39
VÁLVULA DE DESCENSO / DESCENT VALVE / VALVE DE DESCENTE		
MCVAD12CC	Válvula de Descenso 12VDC Descent Valve 12VDC <i>Valve de Descente 12VDC</i>	163,87
MCVAD24CC	Válvula de Descenso 24VDC Descent Valve 24VDC <i>Valve de Descente 24VDC</i>	163,87
MCVAD220/50	Válvula de Descenso 220/50V Descent Valve 220/50V <i>Valve de Descente 220/50V</i>	163,87
PLACA BASE / BASE PLATE / EMBASE		
MC P1	Placa base para 1 electro NG6 Base Plate 1 Control Valve NG6 <i>Embase pour 1 electro NG6</i>	427,09
MC P2	Placa base para 2 electro NG6 Base Plate 2 Control Valve NG6 <i>Embase pour 2 electro NG6</i>	720,01
MC P3	Placa base para 3 electro NG6 Base Plate 3 Control Valve NG6 <i>Embase pour 3 electro NG6</i>	1.240,34
MOTOR / MOTOR / MOTEUR		
MCM12CC	Motor 12 VDC/ Motor / Moteur - 2000 Watios	342,09
MCM24CC	Motor 24 VDC/ Motor / Moteur - 2000 Watios	457,76
BOMBA / PUMP / POMPE		
MCB0,8	Bomba 0,8 cm³ / Pump 0,8 cm³ / Pompe 0,8 cm³	165,44
MCB1,6	Bomba 1,6 cm³ / Pump 1,6 cm³ / Pompe 1,6 cm³	165,44
MCB2	Bomba 2 cm³ / Pump 2 cm³ / Pompe 2 cm³	165,44
MCB3,1	Bomba 3,1 cm³ / Pump 3,1 cm³ / Pompe 3,1 cm³	165,44
MCB5	Bomba 5 cm³ / Pump 5 cm³ / Pompe 5 cm³	234,13
MCB6,3	Bomba 6,3 cm³ / Pump 6,3 cm³ / Pompe 6,3 cm³	279,94
DEPÓSITO / TANK / RESERVOIR		
MCD3	Depósito PVC 3 lts / Tank PVC 3 lts / Reservoir PVC 3 lts	104,88
MCD7	Depósito PVC 7 lts / Tank PVC 7 lts / Reservoir PVC 7 lts	132,83
MCD9	Depósito PVC 9 lts / Tank PVC 9 lts / Reservoir PVC 9 lts	132,83
MCD12	Depósito PVC 12 lts / Tank PVC 12 lts / Reservoir PVC 12 lts	198,23
MCD6	Depósito Metálico 6 lts/ Metallic Tank 6 lts / <i>Reservoir Metallique 6 lts</i>	83,20
MCD10	Depósito Metálico 10 lts/ Metallic Tank 10 lts / <i>Reservoir Metallique 10 lts</i>	131,93